



Bronze Ball Valve For Potable Water
Two Piece
Full Port
600 psig WOG
Solder Ends

UP8311A/8313A 3/8"-2"

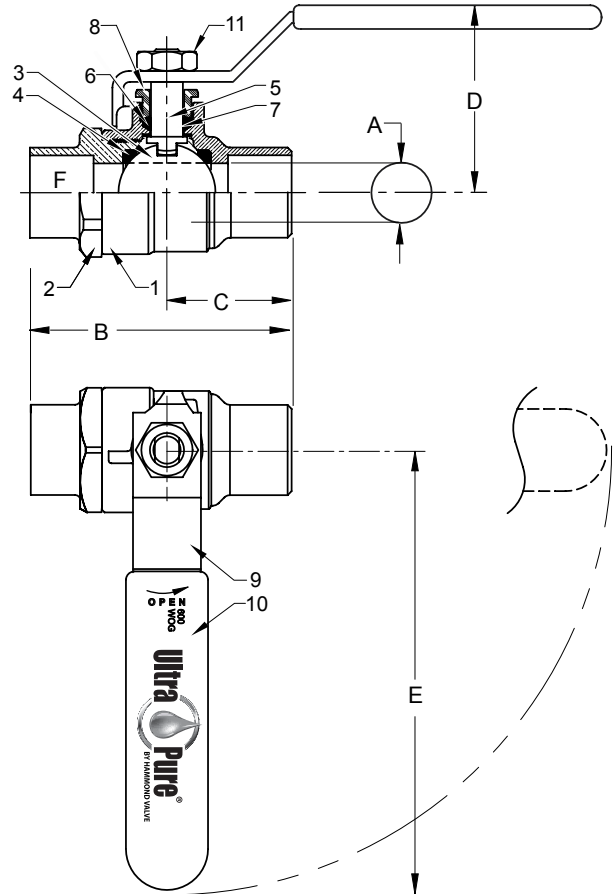


Blow-Out Proof Stem
Dimensions and Workmanship Conform to MSS SP-110

MATERIALS LIST

ITEM	PART	MATERIALS	ASTM SPEC.
1	Body	Cast Bronze	B584 C89833
2	Tailpiece	Cast Bronze	B584 C89833
3	Ball	Brass w/Hard Chrome Plating	B283 C27450
		316 Stainless Steel (1)	A276 S31600
4	Seat	RPTFE, 15% Glass Filled	Commercial
5	Stem	Brass	B21 C46400
		316 Stainless Steel (1)	A276 S31600
6	Thrust Washer	RPTFE, 25% Glass Filled	Commercial
7	Packing	PTFE	Commercial
8	Packing Nut	Brass	B16 C36000
9	Handle	Steel w/Zinc Plating	Commercial
10	Handle Grip	Vinyl	Commercial
11	Handle Nut	Steel w/Zinc Plating	Commercial

(1) Ball and stem are stainless for UP8313A



DIMENSIONS

	UNITS	3/8" DN15	1/2" DN15	3/4" DN20	1" DM25	1-1/4" DM32	1-1/2" DN40	2" DN50
A (DIA)	INCHES	0.38	0.50	0.76	1.06	1.31	1.56	2.00
	mm	10	13	19	27	32	40	51
B	INCHES	2.17	2.39	3.17	3.75	5.00	6.00	6.75
	mm	55	61	81	95	127	152	172
C	INCHES	.90	1.07	1.50	1.79	2.49	3.00	3.37
	mm	22	27	38	46	63	76	86
D	INCHES	1.81	1.87	2.19	2.67	2.82	2.99	3.51
	mm	44	46	56	68	72	76	89
E	INCHES	3.81	3.80	4.56	6.31	6.31	6.31	7.19
	mm	97	97	116	160	160	160	183
F	TUBE SIZEØ	0.51	0.63	0.88	1.13	1.38	1.63	2.13
Cv		7	15	35	60	110	185	360

Note: DN (Diameter Nominal) = Metric equivalent size.

Note: Lead free refers to the wetted surface of the pipe, fittings and fixtures in potable water systems that have a weighted average lead content ≤0.25%. Source: California Health and Safety Code (116875).

The information presented on this sheet is correct at time of publication. Hammond Valve reserves the right to change design and/or materials without notice. For our Installation, Operation and Maintenance Manual and the most current product information go to www.hammondvalve.com. Hammond Valve is a registered trademark of Milwaukee Valve.

⚠ State of California Prop 65 **WARNING:** Cancer and Reproductive Harm. For more information visit www.p65warnings.ca.gov.

