



UP8511/8513 3/8"-3"



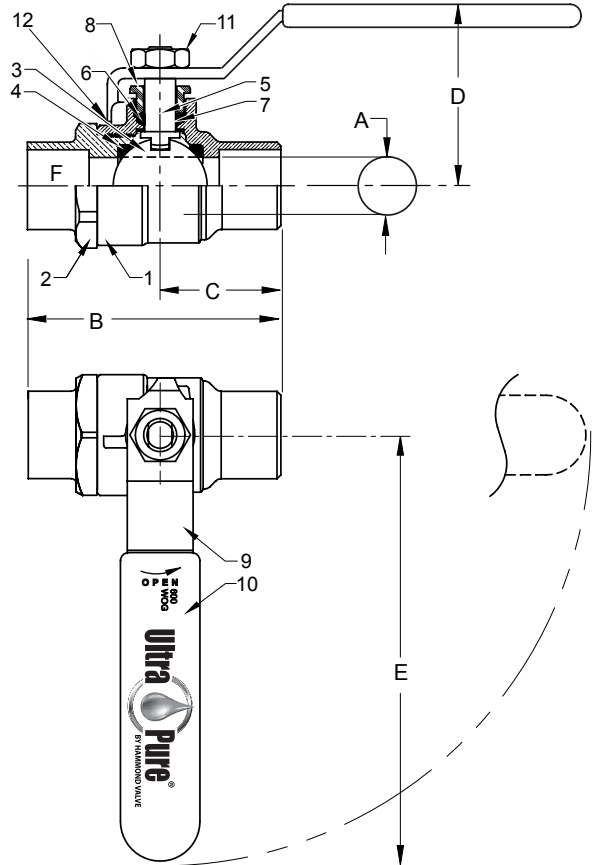
Bronze Ball Valve For Potable Water
Two Piece
Standard Port (1" - 3") Full Port (3/8" - 3/4")
600 psig WOG
Solder Ends
Blow-Out Proof Stem

Dimensions and Workmanship Conform to MSS SP-110

MATERIAL LIST

| ITEM | PART | MATERIAL | ASTM SPEC |
|------|---------------|-----------------------------|----------------|
| 1 | Body | Cast Bronze | B584 C89833 |
| 2 | Tailpiece | Cast Bronze | B584 C89833 |
| 3 | Ball | Brass w/Hard Chrome Plating | B283 C27450 |
| | | 316 Stainless Steel (1) | A276 S31600 |
| 4 | Seat | RPTFE, 15% Glass filled | |
| 5 | Stem | Brass | B21 C46400 |
| | | 316 Stainless Steel (1)(2) | A276 S31600 |
| 6 | Thrust Washer | RPTFE, 25% Glass Filled | Commercial |
| 7 | Packing | PTFE | Commercial |
| 8 | Packing Nut | Brass | B16 C36000 |
| 9 | Handle | Steel w/Zinc Plating | Commercial |
| 10 | Handle Grip | Vinyl | Commercial |
| 11 | Handle Nut | Steel w/Zinc Plating | Commercial |
| 12* | Body Seal | PTFE | Commercial |

- (1) Ball and stem are stainless for UP8513
 (2) Ball and stem are stainless for 2 1/2" & 3" UP8501



DIMENSIONS

| | UNITS | 3/8" DN10 | 1/2" DN15 | 3/4" DN20 | 1" DN25 | 1-1/4" DN32 | 1-1/2" DN40 | 2" DN50 | 2-1/2" DN65 | 3" DN80 |
|------------|---------------|--------------|--------------|--------------|------------|----------------|----------------|------------|----------------|------------|
| A (DIA) | INCHES | 0.38 | 0.50 | 0.76 | 0.88 | 1.06 | 1.31 | 1.56 | 2.00 | 2.31 |
| | mm | 10 | 13 | 19 | 22 | 27 | 33 | 40 | 51 | 59 |
| B | INCHES | 2.17 | 2.39 | 3.17 | 3.71 | 4.54 | 5.00 | 6.25 | 7.34 | 8.16 |
| | mm | 55 | 61 | 81 | 91 | 111 | 123 | 153 | 180 | 200 |
| C | INCHES | 0.90 | 1.07 | 1.50 | 1.76 | 2.27 | 2.50 | 3.13 | 3.67 | 4.07 |
| | mm | 22 | 26 | 38 | 43 | 56 | 61 | 77 | 90 | 100 |
| D | INCHES | 1.81 | 1.91 | 2.08 | 2.25 | 2.66 | 2.84 | 3.00 | 3.44 | 3.90 |
| | mm | 44 | 47 | 51 | 55 | 65 | 70 | 74 | 87 | 99 |
| E | INCHES | 3.81 | 3.81 | 4.56 | 4.56 | 6.31 | 6.31 | 7.19 | 7.19 | 7.19 |
| | mm | 97 | 97 | 116 | 116 | 160 | 160 | 183 | 183 | 183 |
| F | TUBE SIZEØ | 0.51 | 0.63 | 0.88 | 1.13 | 1.38 | 1.63 | 2.13 | 2.63 | 3.13 |
| Cv | | 7 | 13 | 35 | 38 | 61 | 87 | 121 | 196 | 231 |

Note: DN (Diameter Nominal) = Metric equivalent size.

Note: Lead free refers to the wetted surface of the pipe, fittings and fixtures in potable water systems that have a weighted average lead content ≤0.25%. Source: California Health and Safety Code (116875).

The information presented on this sheet is correct at time of publication. Hammond Valve reserves the right to change design and/or materials without notice. For our Installation, Operation and Maintenance Manual and the most current product information go to www.hammondvalve.com. Hammond Valve is a registered trademark of Milwaukee Valve.

⚠ State of California Prop 65 **WARNING:** Cancer and Reproductive Harm. For more information visit www.p65warnings.ca.gov.

