



Bronze Ball Valve For Potable Water
Three Piece
Full Port
600 psig WOG
Threaded Ends
Blow-Out Proof Stem

UP8604/8603 1/4"-3"

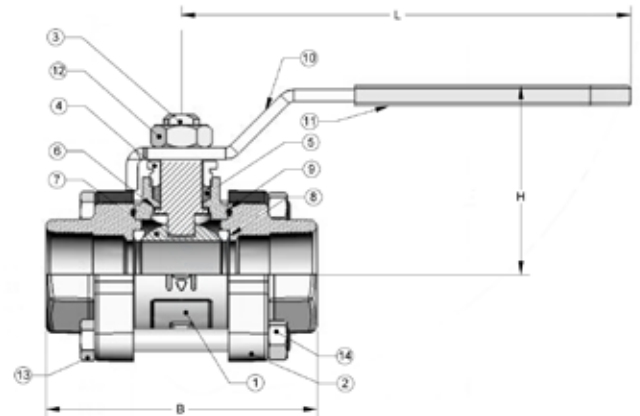
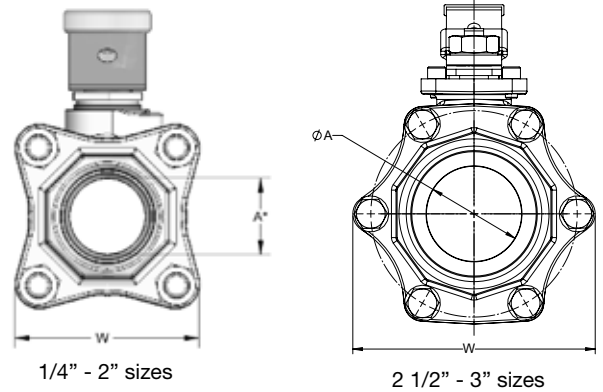


Dimensions and Workmanship Conform to MSS SP-110

MATERIALS LIST

| ITEM | PART | MATERIALS | ASTM SPEC. |
|------|---------------|-----------------------------|--------------------|
| 1 | Body | Cast Bronze | B584 C89833 |
| 2 | End Cap | Cast Bronze | B584 C89833 |
| 3 | Stem | Brass | B21 C46400, H02 |
| | | 316 Stainless Steel (1) | A276 |
| 4 | Packing Nut | Brass | B16 |
| 5 | Packing | PTFE | Commercial |
| 6 | Thrust Washer | RPTFE, 25% Glass Reinforced | Commercial |
| 7 | Ball | Brass w/Hard Chrome Plating | B283 C27450 |
| | | 316 Stainless Steel (1) | A276 |
| 8 | Seat | RPTFE, 15% Glass Filled | Commercial |
| 9 | O-Ring | Viton | Commercial |
| 10 | Handle | Steel w/Zinc Plating | Commercial |
| 11 | Handle Grip | Vinyl | Commercial |
| 12 | Handle Nut | Steel w/Zinc Plating | Commercial |
| 13 | Bolt | Steel w/Zinc Plating | Commercial |
| 14 | Nut | Steel w/Zinc Plating | Commercial |

(1) Ball and stem are stainless for UPBA300S



DIMENSIONS

| | UNITS | 1/4" DN6 | 3/8" DN10 | 1/2" DN15 | 3/4" DN20 | 1" DN25 | 1-1/4" DN32 | 1-1/2" DN40 | 2" DN50 | 2-1/2" DN 65 | 3" * DN 80 |
|----|-------------|-------------|--------------|--------------|--------------|------------|----------------|----------------|------------|-----------------|---------------|
| A | INCHES | 0.38 | 0.45 | 0.50 | 0.75 | 1.00 | 1.25 | 1.50 | 2.00 | 2.50 | 2.50 |
| | mm | 10 | 11 | 13 | 19 | 25 | 32 | 38 | 51 | 64 | 64 |
| B | INCHES | 2.68 | 2.68 | 3.03 | 3.56 | 3.82 | 4.86 | 5.06 | 5.90 | 6.84 | 6.84 |
| | mm | 68 | 68 | 77 | 90 | 97 | 123 | 129 | 150 | 174 | 174 |
| H | INCHES | 1.85 | 1.85 | 1.85 | 2.20 | 2.65 | 2.79 | 2.97 | 3.47 | 5.44 | 5.44 |
| | mm | 47 | 47 | 47 | 56 | 67 | 71 | 75 | 88 | 138 | 138 |
| L | INCHES | 4.03 | 4.03 | 4.06 | 4.58 | 6.30 | 6.32 | 7.20 | 7.20 | 8.00 | 8.00 |
| | mm | 102 | 102 | 103 | 116 | 160 | 161 | 183 | 183 | 203 | 203 |
| W | INCHES | 1.95 | 1.95 | 1.95 | 2.19 | 2.48 | 3.00 | 3.13 | 3.78 | 6.25 | 6.25 |
| | mm | 50 | 50 | 50 | 56 | 63 | 76 | 80 | 96 | 159 | 159 |
| F | THREAD SIZE | 1/4" NPT | 3/8" NPT | 1/2" NPT | 3/4" NPT | 1" NPT | 1-1/4" NPT | 1-1/2" NPT | 2" NPT | 2-1/2" NPT | 3" NPT |
| Cv | | 7 | 7 | 17 | 31 | 60 | 110 | 185 | 360 | 390 | 390 |

Note: DN (Diameter Nominal) = Metric equivalent size.

* 3" is Standard Port.

Note: Lead free refers to the wetted surface of the pipe, fittings and fixtures in potable water systems that have a weighted average lead content $\leq 0.25\%$. Source: California Health and Safety Code (116875).

The information presented on this sheet is correct at time of publication. Hammond Valve reserves the right to change design and/or materials without notice. For our Installation, Operation and Maintenance Manual and the most current product information go to www.hammondvalve.com. Hammond Valve is a registered trademark of Milwaukee Valve.

⚠ State of California Prop 65 **WARNING:** Cancer and Reproductive Harm. For more information visit www.p65warnings.ca.gov.



HAMMONDVALVE