



# UP8614/8613 3/8"-3"



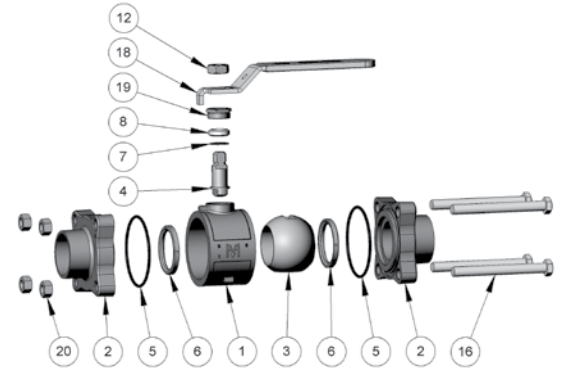
**Bronze Ball Valve For Potable Water**  
**Three Piece**  
**Full Port\***  
**600 psig WOG**  
**Solder Ends**  
**Blow-Out Proof Stem**

**Dimensions and Workmanship Conform to MSS SP-110**

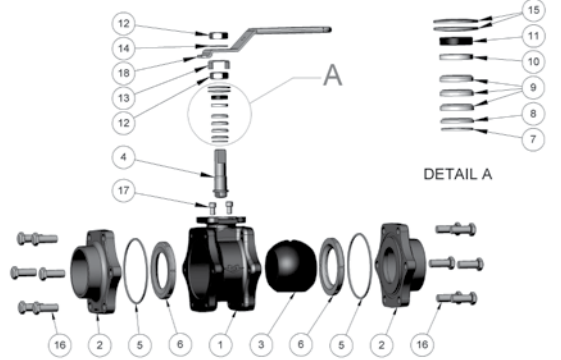
## MATERIALS LIST

ITEM	PART	MODEL/SIZE	MATERIALS	ASTM SPEC.
1	Body	UP8614 & UP8613	Cast Bronze	B584 C89833
2	Tailpiece	UP8614 & UP8613	Cast Bronze	B584 C89833
3	Ball	UP8614	Brass w/Hard Chrome Plating	B283 C27450
		UP8613	316 Stainless Steel	A276 S31600
4	Stem	UP8614	Brass	B21 C46400, H02
		UP8613	316 Stainless Steel	A276 S31600
5	O-Ring	UP8614 & UP8613	Viton	Commercial
6	Seat	UP8614 & UP8613	15 % Glass RPTFE	Commercial
7	Thrust, Washer	UP8614 & UP8613	25% Glass RPTFE	Commercial
8	Packing Male	2- 1/2"-3"	PTFE	Commercial
	Packing	3/8"-2"	PTFE	Commercial
9	Packing, "V"	UP8614 & UP8613	PTFE	Commercial
10	Packing, Female	UP8614 & UP8613	PTFE	Commercial
11	Packing Follower	UP8614 & UP8613	Brass	B16 C36000
12	Hex Jam Nut	UP8614 & UP8613	Stainless Steel	Commercial
13	Nut Locker	UP8614 & UP8613	Stainless Steel TYP. 301/302	Commercial
14	Washer, Internal Tooth	UP8614 & UP8613	Stainless Steel	Commercial
15	Belleville, Washer	UP8614 & UP8613	Stainless Steel 17-7 PH	Commercial
16	Hex Head Cap Screw	UP8614 & UP8613	Steel	SAE, Grade 8
17	Socket Head Cap Screw	2-1/2"-3"	Carbon Steel	Commercial
18	Handle Assy	UP8614 & UP8613		
19	Gland Nut	3/8"-2"	Brass	B16 C36000
20	Hex Nut	3/8"-2"	Steel	SAE 5140

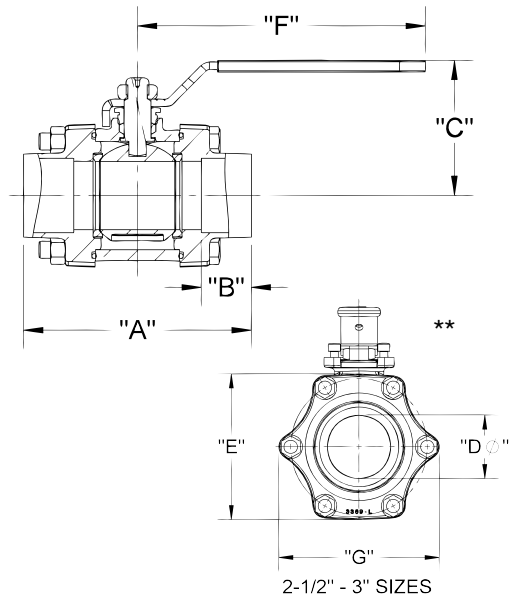
(1) Ball and stem are stainless for UP8613



3/8" THRU 2"



2-1/2" THRU 3"



## DIMENSIONS

	UNITS	3/8"	1/2"	3/4"	1"	1-1/4"	1-1/2"	2"	2-1/2"	3"
		DN10	DN15	DN20	DN25	DN32	DN40	DN50	DN65	DN80
A	INCHES	2.68	3.02	3.56	3.81	4.66	5.00	5.70	7.01	7.01
	mm	68	77	90	97	118	127	145	178	178
B	INCHES	0.44	0.51	0.76	0.92	0.98	1.10	1.35	1.48	1.67
	mm	11	13	19	23	25	28	34	38	42
C	INCHES	1.85	1.85	2.20	2.65	2.79	2.97	3.47	5.44	5.44
	mm	47	47	56	67	71	75	88	138	138
D	INCHES	0.45	0.50	0.75	1.00	1.25	1.50	2.00	2.50	2.50
	mm	11	13	19	25	32	38	51	64	64
E	INCHES	1.32	1.32	2.13	2.41	2.94	3.13	3.86	5.74	5.74
	mm	34	34	54	61	75	80	98	146	146
F	INCHES	3.80	3.80	4.55	6.32	6.32	6.32	7.20	8.10	8.10
	mm	96	96	116	160	160	160	183	206	206
G	INCHES	1.92	1.92	2.13	2.41	2.94	3.13	3.86	6.31	6.31
	mm	49	49	54	61	75	80	98	160	160
Cv		7	17	31	60	110	185	360	390	390

\*3" is standard Port.

\*\*2-1/2" & 3" Only.

**Note:** Lead free refers to the wetted surface of the pipe, fittings and fixtures in potable water systems that have a weighted average lead content  $\leq 0.25\%$ . Source: California Health and Safety Code (116875).

The information presented on this sheet is correct at time of publication. Hammond Valve reserves the right to change design and/or materials without notice. For our Installation, Operation and Maintenance Manual and the most current product information go to [www.hammondvalve.com](http://www.hammondvalve.com). Hammond Valve is a registered trademark of Milwaukee Valve.

⚠ State of California Prop 65 **WARNING:** Cancer and Reproductive Harm. For more information visit [www.p65warnings.ca.gov](http://www.p65warnings.ca.gov).

