



# UP8901 1/4"-3"



**Brass Ball Valve For Potable Water**  
**Two Piece**  
**Full Port**  
**600 psig WOG (1/4" - 2")**  
**400 psig WOG (2 1/2" - 3")**  
**Threaded Ends**  
**Blow-Out Proof Stem**  
**Dimensions and Workmanship Conform to MSS SP-110,**

## MATERIALS LIST

ITEM	PART	MATERIALS	ASTM SPEC.
1	Body	Brass, Forged	B283 C27450
2	Tailpiece	Brass, Forged	B283 C27450
3	Ball	Brass w/Chrome Plating	B283 C27450
4	Ball Seat	PTFE	Commercial
5	Stem	Brass	B124 C27450
6	O-Ring	Buna-N	D2006
7	Thrust Washer	PTFE	Commercial
8	Gland Nut	Brass	B16 C36000
9	Packing	PTFE	Commercial
10	Handle	Zinc Plated Steel	Commercial
11	Handle Nut	Zinc Plated Steel	Commercial
12	Seal	PTFE (2 1/2" & 3")**	Commercial

Also Available UP8901-07  
**\*\* Additional body/tailpiece seal for 2 1/2" & 3" sizes only (Not Pictured).**

### CSA Listed (1/2" - 2")

- Class 3371-08: ANSI Z21.15/CSA 9.1, 1/2 psi
- Class 3371-12: CGA CR91-002, 5 psi
- Class 3371-88: ANSI Z21.15/CSA 9.1, 1/2 psi
- Class 3371-92: ASME B16.44, 5 psi

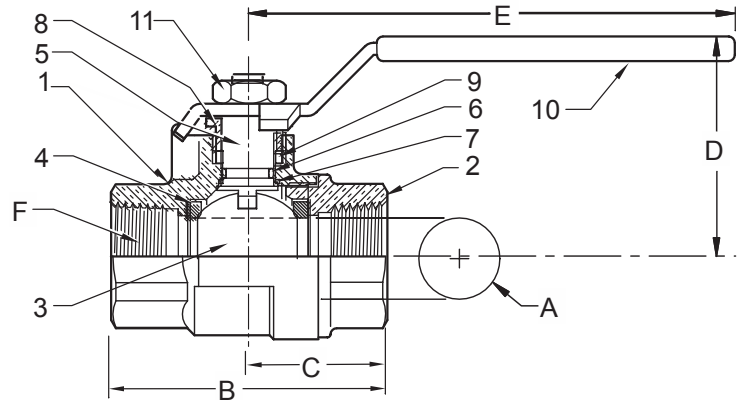
### UL Listed (1/4" - 2")

- UL 842 (YRPV) Gas Shutoff
- UL 842 (MHKZ) Manual Valves
- UL 125 (YSDT) LP-Gas Shutoff
- UL 1477 (YQNZ) Compressed Gas Shutoff
- UL 258 (VQGU) Trim and Drain Valves

### FM Approved (1/4" - 2")

- FM 1140, 600 psi

NOTE: Agency listed as Milwaukee UPBA-475B  
 (Products are dual marked)



## DIMENSIONS

	UNITS	1/4"	3/8"	1/2"	3/4"	1"	1-1/4"	1-1/2"	2"	2-1/2"	3"
A	INCHES	0.39	0.39	0.51	0.76	1.00	1.26	1.50	2.00	2.48	2.95
	mm	10	10	13	19	25	32	38	51	63	75
B	INCHES	1.87	1.87	2.25	2.62	3.06	3.50	3.75	4.38	5.16	6.00
	mm	47	47	57	67	78	89	95	111	131	152
C	INCHES	0.95	0.95	1.12	1.31	1.52	1.73	1.87	2.19	2.58	3.00
	mm	24	24	28	33	39	44	47	56	66	76
D	INCHES	1.42	1.42	1.46	1.93	2.10	2.33	2.52	2.96	3.94	4.37
	mm	36	36	37	49	53	59	64	75	100	111
E	INCHES	3.27	3.27	3.27	4.45	4.45	5.24	5.24	7.01	7.87	7.87
	mm	83	83	83	113	113	133	133	178	200	200
F	THREAD SIZE	1/4" NPT	3/8" NPT	1/2" NPT	3/4" NPT	1" NPT	1-1/4" NPT	1-1/2" NPT	2" NPT	2-1/2" NPT	3" NPT
	Cv	12	12	18	40	72	112	161	287	307	323

**Note:** Lead free refers to the wetted surface of the pipe, fittings and fixtures in potable water systems that have a weighted average lead content  $\leq 0.25\%$ . Source: California Health and Safety Code (116875).

The information presented on this sheet is correct at time of publication. Hammond Valve reserves the right to change design and/or materials without notice. For our Installation, Operation and Maintenance Manual and the most current product information go to [www.hammondvalve.com](http://www.hammondvalve.com). Hammond Valve is a registered trademark of Milwaukee Valve.

⚠ State of California Prop 65 **WARNING:** Cancer and Reproductive Harm. For more information visit [www.p65warnings.ca.gov](http://www.p65warnings.ca.gov).



**HAMMONDVALVE**