



**Bronze Check Valve For Potable Water**  
**300 WOG† (1/4" - 2") 200 psig WOG †(2 1/2" -3")**  
**Horizontal Swing • Threaded Ends**  
**Dimensions and Workmanship Conform to MSS SP-80**

# UP904 1/4"-3"



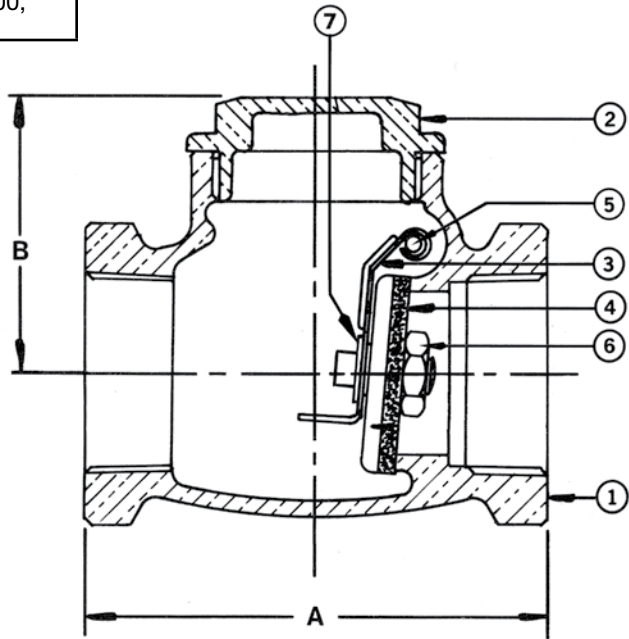
### MATERIALS LIST

ITEM	PART	MATERIALS	ASTM SPEC.
1	Body	Bronze	B584 C89833
2	Cap	Bronze	B584 C89833
3	Lever	Stainless Steel	A276 S30200 (1/4"-2")
		Bronze	B584 C89833 (2 1/2"-3")
4	Disc	Brass	ASTM B21 C46400, H02 (1/4"-1 1/2")
		Bronze	ASTM B584 C89833 (2"-3")
5	Pin	Stainless Steel	A276 S30400 (1"-2")
		Stainless Steel	A582 S30300 (1/4"-3/4") (2 1/2"-3")
6	Disc Nut	Brass	B21 C46400 H02 (2 1/2"-3")
7	Retaining Ring	Stainless Steel	A276 S30400
8	Plug (not shown)	Brass	B21 C46400, H02

### DIMENSIONS

Units	Size	A	B	Cv
INCHES	1/4	2.13	1.32	3.3
mm		54	34	
INCHES	3/8	2.13	1.32	6.0
mm		54	34	
INCHES	1/2	2.31	1.32	10.0
mm		59	34	
INCHES	3/4	2.63	1.69	18.0
mm		67	43	
INCHES	1	3.25	2.00	31.0
mm		83	51	
INCHES	1 1/4	3.56	2.13	54.0
mm		91	54	
INCHES	1 1/2	4.00	2.38	76.0
mm		102	60	
INCHES	2	4.75	2.81	131.0
mm		121	71	
INCHES	2 1/2	6.00	3.63	233.8
mm		152	92	
INCHES	3	6.88	4.19	286.4
mm		175	106	

† Non-Shock



**Note:** Lead free refers to the wetted surface of the pipe, fittings and fixtures in potable water systems that have a weighted average lead content ≤0.25%. Source: California Health and Safety Code (116875).

The information presented on this sheet is correct at time of publication. Hammond Valve reserves the right to change design and/or materials without notice. For our Installation, Operation and Maintenance Manual and the most current product information go to [www.hammondvalve.com](http://www.hammondvalve.com). Hammond Valve is a registered trademark of Milwaukee Valve.

⚠ State of California Prop 65 **WARNING:** Cancer and Reproductive Harm. For more information visit [www.p65warnings.ca.gov](http://www.p65warnings.ca.gov).

