



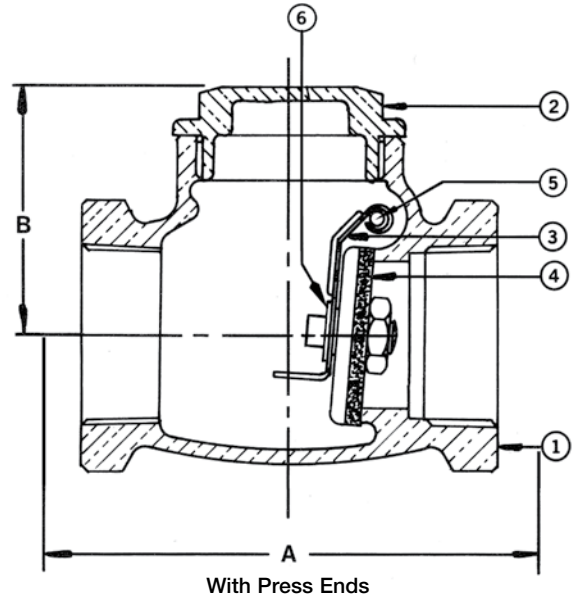
Bronze Check Valve For Potable Water
200 psig @ 250°F †
Horizontal Swing • Press Ends

UP904 P2* 1/2"-2"

Dimensions and Workmanship Conform to MSS SP-80

MATERIALS LIST

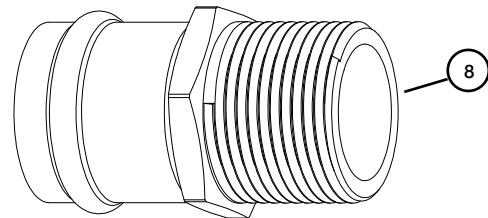
ITEM	PART	MATERIALS	ASTM SPEC.
1	Body	Bronze	B584 C89833
2	Cap	Bronze	B584 C89833
3	Lever	Stainless Steel	A276 S30200 1/2" to 2" Incl.
4	Disc	Brass	B21 C46400, H02 (1/2"-1 1/2") Incl.
		Bronze	B584 C89833 (2")
5	Pin	Stainless Steel	A276 S30400 (1/2"-1") A582 530300 (1 1/4"-2")
6	Disc Nut	Brass	B283 C46400
7	Retaining Ring	Stainless Steel	A276 S30400
8	Plug (not shown)	Brass	B21 C46400, H02
9	Washer (not shown)	Brass	B16 C36000
10	Press Adapter	Brass Fitting w/ EPDM O-Ring	ASTM B283 C27450



DIMENSIONS

Units	Size	STD INSERTION DEPTH	A	B	Cv
INCHES	1/2	0.87	5.31	1.32	10.0
mm		22	135	34	
INCHES	3/4	0.98	6.21	1.69	18.0
mm		25	158	43	
INCHES	1	0.98	7.25	2.00	31.0
mm		25	184	51	
INCHES	1 1/4	1.02	7.63	2.13	54.0
mm		26	194	54	
INCHES	1 1/2	1.42	8.48	2.38	76.0
mm		36	215	60	
INCHES	2	1.58	10.75	2.81	131.0
mm		40	273	71	

† Non-Shock



Press End Adapter (4151 Series)

*Both the valve and 4151 series press end adapters are tested and certified by IAPMO R & T to NSF/ANSI 61 and NSF/ANSI 372 for "Lead Free" compliance.

Note: Lead free refers to the wetted surface of the pipe, fittings and fixtures in potable water systems that have a weighted average lead content ≤0.25%. Source: California Health and Safety Code (116875).

The information presented on this sheet is correct at time of publication. Hammond Valve reserves the right to change design and/or materials without notice. For our Installation, Operation and Maintenance Manual and the most current product information go to www.hammondvalve.com. Hammond Valve is a registered trademark of Milwaukee Valve.

⚠ State of California Prop 65 **WARNING:** Cancer and Reproductive Harm. For more information visit www.p65warnings.ca.gov.

