



**Brass Ball Valve For Potable Water**  
**Two Piece**  
**Full Port**  
**200 psig @ 250°F†**  
**Press x Press Ends**  
**Blow-Out Proof Stem**

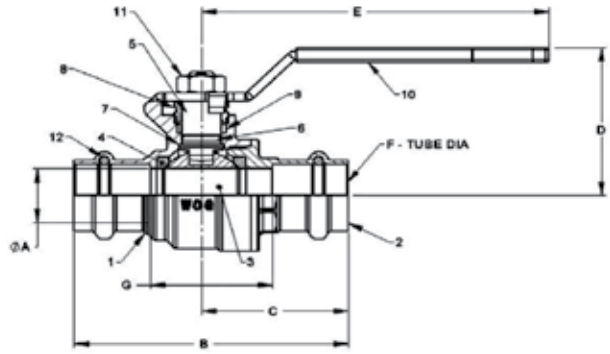
# UPBA-480B\* 1/2"-4"\*\*\*



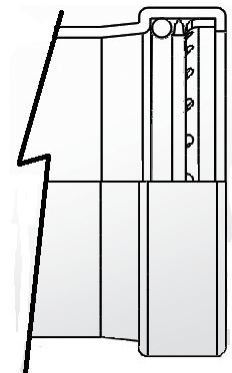
## MATERIALS LIST

ITEM	PART	MATERIALS	ASTM SPEC.
1	Body	Brass, Forged	B283 C27450
2	Tailpiece	Brass, Forged	B283 C27450
3	Ball	Brass, Chrome Plating	B283 C27450
4	Ball Seat (1/2"-2")	PTFE	Commercial
	Ball Seat (2 1/2"-4")	RPTFE	
5	Stem	Brass, Forged	B283-C27450
6	Stem O-Ring	Buna-N	D2000
7	Thrust Washer	PTFE	Commercial
8	Gland Nut	Brass	B124
9	Packing	PTFE	Commercial
10	Handle	Zinc Plated Steel	Commercial
11	Handle Nut	Zinc Plated Steel	Commercial
12	Backing Ring	EPDM	Commercial
13**	Backing Spacer	PTFE	Commercial
14**	Backing Retainer	Stainless Steel	Commercial

\*Ultra Press Valves are designed and qualified for use in copper tubing systems only, Types K, L, & M per ASTM B88



12\*\* 13 14



\*\* 2-1/2", 3", & 4" Requires XLC installation jaws.

## DIMENSIONS

	UNITS	1/2" DN15	3/4" DN20	1" DN25	1-1/4" DN32	1-1/2" DN40	2" DN50	2-1/2" DN65	3" DN80	4" DN100
A-PORT DIA	INCHES	0.51	0.76	0.98	1.26	1.50	2.01	2.48	2.95	3.94
	mm	13	19	25	32	38	51	63	75	100
B	INCHES	3.16	3.71	4.28	5.20	6.31	7.44	8.23	9.13	11.42
	mm	80	94	109	132	160	189	209	232	290
C	INCHES	1.63	1.92	2.18	2.75	3.40	3.96	4.33	4.80	6.06
	mm	41	49	55	70	86	101	110	122	154
D	INCHES	1.62	2.01	2.21	2.46	2.62	3.13	3.86	4.21	6.06
	mm	41	51	56	63	67	80	98	107	154
E	INCHES	3.15	4.33	4.33	5.12	5.12	6.89	7.87	7.87	9.65
	mm	80	110	110	130	130	175	200	200	245
G	INCHES	1.52	1.73	2.31	3.16	3.49	4.28	3.98	4.76	6.14
	mm	39	44	59	80	89	109	101	121	156
Cv		18	40	72	112	161	287	448	645	700

†Non-Shock

**Note:** Lead free refers to the wetted surface of the pipe, fittings and fixtures in potable water systems that have a weighted average lead content ≤0.25%. Source: California Health and Safety Code (116875).

The information presented on this sheet is correct at time of publication. Hammond Valve reserves the right to change design and/or materials without notice. For our Installation, Operation and Maintenance Manual and the most current product information go to [www.hammondvalve.com](http://www.hammondvalve.com). Hammond Valve is a registered trademark of Milwaukee Valve.

⚠ State of California Prop 65 **WARNING:** Cancer and Reproductive Harm. For more information visit [www.p65warnings.ca.gov](http://www.p65warnings.ca.gov).



**HAMMONDVALVE**

# OPTIONS

8201/8211  
8901/8911  
BA480B/BA490B

## 02 Memory Stop

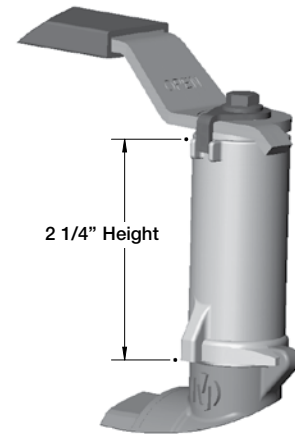
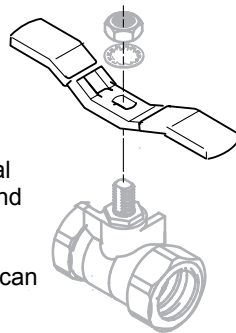
The "02" Memory Stop provides an adjustable stop when the valve is used in a balancing application. The memory stop can be set to any preset opening point.

## 06 Extension Handle With Memory Stop

The "06" stem extension is simple and effective design. This option is designed for installations where pipe insulation would make standard handles inoperable.

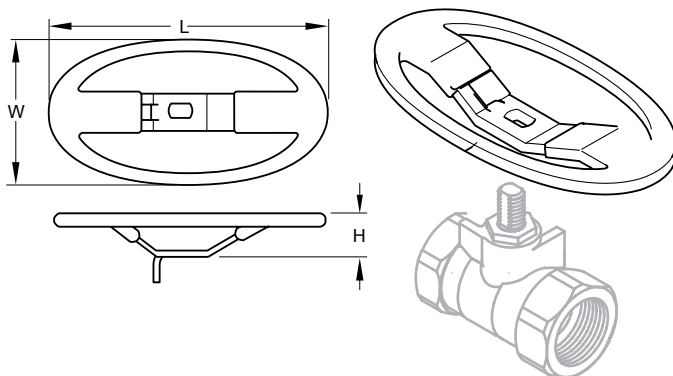
## 03 Tee Handle

Tee handles offer the same installation space savings as oval handles, with a slightly shorter end to end dimension. Tee handles require more handle force to operate, so accidental openings can be reduced.



## 04 Oval Handle

Oval handles can be installed where a standard lever handle might encounter interference from adjoining piping. Oval handles can also prevent accidental valve operations, since they have less projection than a lever handle, and require more turning force to operate.

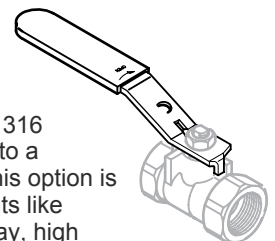


## 07 Locking Lever Handle



## 08 Stainless Steel Handle

The "08" handle option adds a 316 stainless steel handle and nut to a standard bronze ball valve. This option is intended for harsh environments like areas subject to salt water spray, high humidity, cleaning chemicals, etc.



The information presented on this sheet is correct at time of publication. Hammond Valve reserves the right to change design and/or materials without notice. For our Installation, Operation and Maintenance Manual and the most current product information go to [www.hammondvalve.com](http://www.hammondvalve.com). Hammond Valve is a registered trademark of Milwaukee Valve.

⚠ State of California Prop 65 **WARNING:** Cancer and Reproductive Harm. For more information visit [www.p65warnings.ca.gov](http://www.p65warnings.ca.gov).