



# UP8501H/UP8511H 1/2" & 3/4"



**Bronze Ball Valve For Potable Water**  
**Two Piece**  
**Full Port**  
**600 WOG**  
**Threaded x 3/4" Hose End (UPBA100H)**  
**Solder x 3/4" Hose End (UPBA150H)**  
**Dust Cap and Chain**  
**Blow-Out Proof Stem**

**Dimensions and Workmanship Conform to MSS SP-110**

## MATERIALS LIST

ITEM	PART	MATERIALS	ASTM SPEC.
1	Body	Cast Bronze	B584 C89833
2	Tailpiece	Brass	B283 C27450
3	Ball	Brass, Chrome Plated	B283 C27450
4	Seat	PTFE (1/2") RPTFE 25% Glass Filled (3/4")	Commercial
5	Stem	Brass	B21 C46400, H02
6	Thrust Washer	RPTFE, 25% Glass Filled	Commercial
7	Packing	PTFE	Commercial
8	Packing Nut	Brass	B16 C36000
9	Handle	Steel, Zinc Plated	Commercial
10	Handle Grip	Vinyl	Commercial
11	Handle Nut	Steel, Zinc Plated	Commercial
12	Dust Cap	Polypropylene	Commercial
13	Gasket	EDPM	Commercial
14	Chain	Brass Bead	Commercial

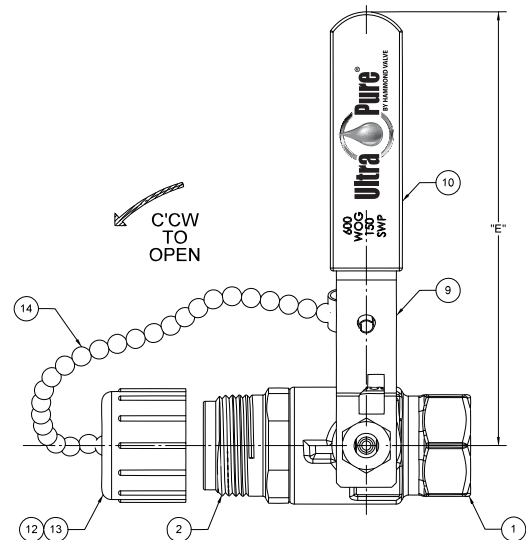
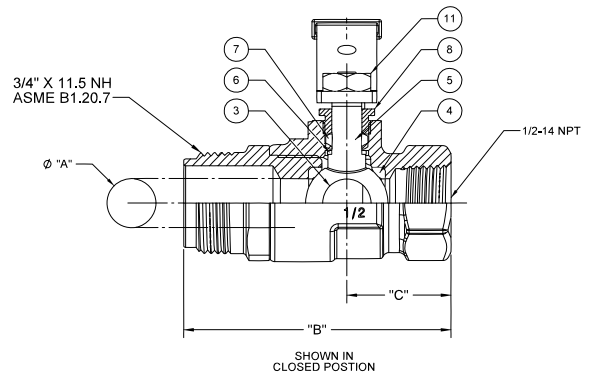
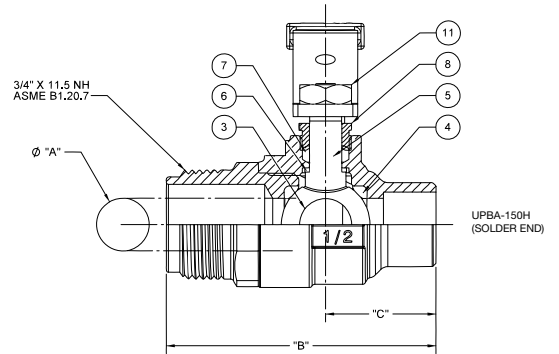
**Do not pressurize cap.**  
**Pressure not to exceed 40 psi.**

**Note:** Pressure/Temperature rating shown are for VALVE ONLY. Hose side pressure and temperature limit is based on connected hose and is users responsibility

## DIMENSIONS

	UNITS	1/2"	3/4"
		DN15	DN20
ØA	INCHES	0.50	0.76
	mm	13	19
B (BA-100)	INCHES	2.70	2.90
	mm	69	74
B' (BA-150)	INCHES	2.55	3.05
	mm	65	78
C (BA-100)	INCHES	1.10	1.30
	mm	28	33
C' (BA-150)	INCHES	1.10	1.45
	mm	28	37
D	INCHES	1.88	2.14
	mm	48	54
E	INCHES	3.81	4.62
	mm	97	117
F	THREADED INLET	NPT	NPT
Cv		13	30

Note: DN (Diameter Nominal) = Metric equivalent size.  
 †Non-Shock



The information presented on this sheet is correct at time of publication. Hammond Valve reserves the right to change design and/or materials without notice. For our Installation, Operation and Maintenance Manual and the most current product information go to [www.hammondvalve.com](http://www.hammondvalve.com). Hammond Valve is a registered trademark of Milwaukee Valve.

⚠ State of California Prop 65 **WARNING:** Cancer and Reproductive Harm. For more information visit [www.p65warnings.ca.gov](http://www.p65warnings.ca.gov).

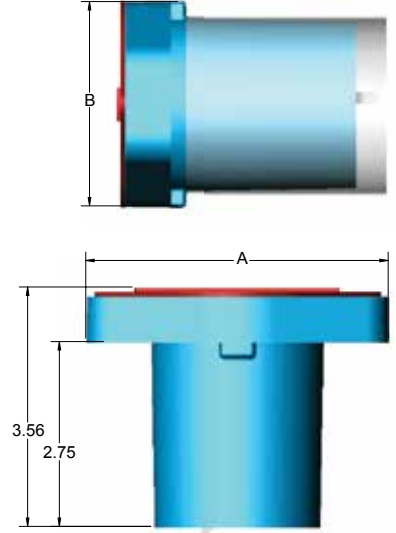
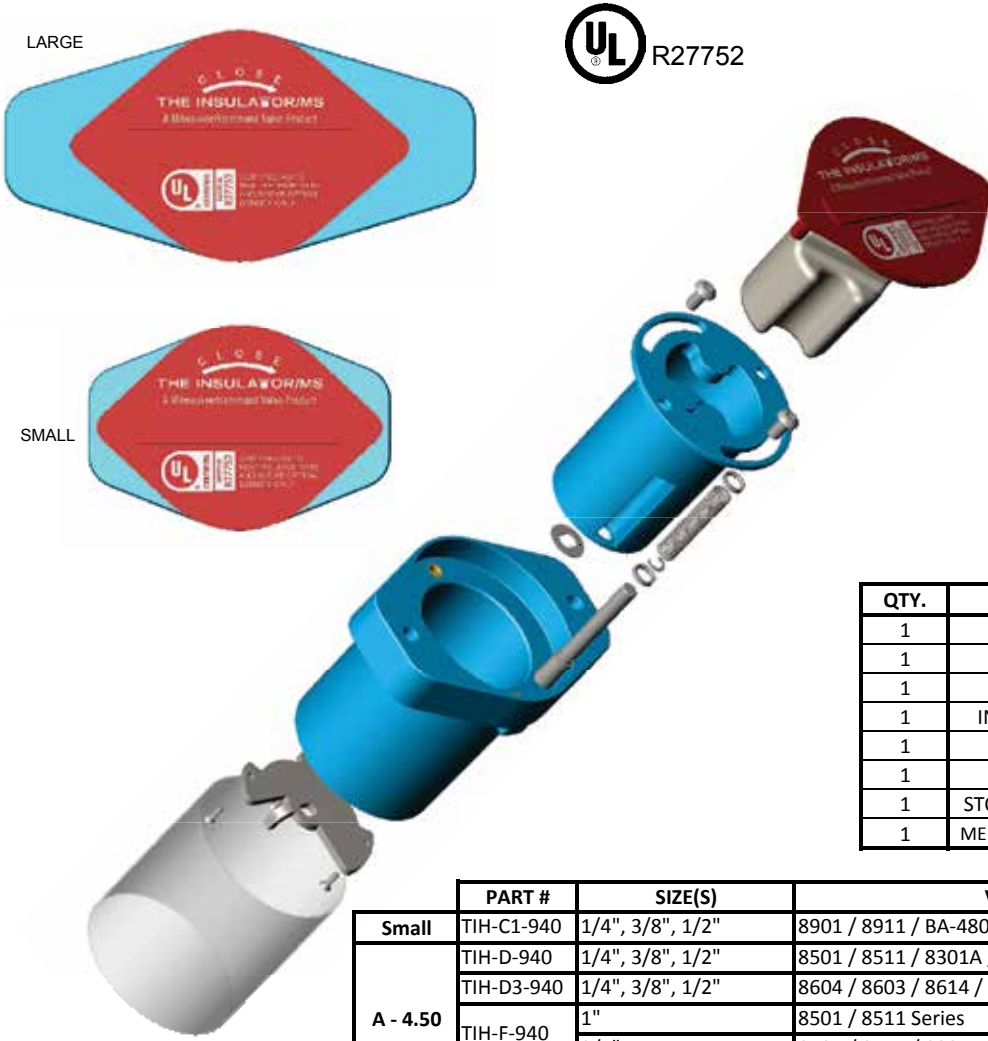


# THE INSULATOR/MS<sup>®</sup>

## Bronze & Brass Ball Valves

Hammond Valve's insulated extension handle is designed to prevent condensation and other extraneous moisture from entering your insulated piping system, while also minimizing thermal energy loss from the system via metal extension tubes, levers, and similar parts.

Our handle design incorporates a unique memory stop feature that requires no disassembly or removal of the handle to engage and make adjustments.



### Bill of Material

QTY.	DESCRIPTION	MATERIAL
1	HOUSING	FIRE RESISTANT ABS
1	SLEEVE	FIRE RESISTANT ABS
1	CAP	POLYETHYLENE
1	INSULATION INSERT	POLYSTYRENE
1	SHIELD	PLASTIC SLEEVE
1	LOCK WASHER	SS
1	STOP PLATE & SCREWS	SS
1	MEMORY STOP ASSEMBLY	SS

	PART #	SIZE(S)	VALVE*
Small	TIH-C1-940	1/4", 3/8", 1/2"	8901 / 8911 / BA-480B / BA-490B Series
A - 4.50	TIH-D-940	1/4", 3/8", 1/2"	8501 / 8511 / 8301A / 8311A Series
	TIH-D3-940	1/4", 3/8", 1/2"	8604 / 8603 / 8614 / 8613
	TIH-F-940	1"	8501 / 8511 Series
A - 4.50	TIH-F3-940	3/4"	8501 / 8511 / 8301A / 8311A Series
		3/4"	8604 / 8603 / 8614 / 8613
B - 3.06	TIH-H1-940	3/4", 1", 1 1/4", 1 1/2"	8901 / 8911 / BA-480B / BA-490B Series
Large	TIH-J-940	2"	8501 / 8511 Series
		1 1/4", 1 1/2"	8501 / 8511 / 8301A / 8311A Series
B - 3.44	TIH-J1-940	1"	8301A / 8311A Series
		2"	8901 / 8911 / BA-480B / BA-490B Series
	TIH-J3-940	1", 1 1/4", 1 1/2"	8604 / 8603 / 8614 / 8613
	TIH-K-940	2"	8301A / 8311A Series
	TIH-K3-940	2"	8604 / 8603 / 8614 / 8613

To order factory assembled to the valve suffix 16

TIH handle is rated to 275°F. Installation of Solder end valves with the TIH installed: slide the plastic sleeve up to avoid contact with the valve body, wrap the TIH handle with a damp cloth to protect and draw heat away while directing the flame away from the center of the valve during heating.

\*Will fit our equivalent Ultrapure Low Lead Valves.

The information presented on this sheet is correct at time of publication. Hammond Valve reserves the right to change design and/or materials without notice. For our Installation, Operation and Maintenance Manual and the most current product information go to [www.hammondvalve.com](http://www.hammondvalve.com). Hammond Valve is a registered trademark of Milwaukee Valve.

⚠ State of California Prop 65 **WARNING:** Cancer and Reproductive Harm. For more information visit [www.p65warnings.ca.gov](http://www.p65warnings.ca.gov).