



Brass Ball Valve For Potable Water
Two Piece
Full Port
600 psig WOG (1/2" - 2") 400 psig WOG (2 1/2" - 3")
Solder Ends

UP8911 1/2"-3"

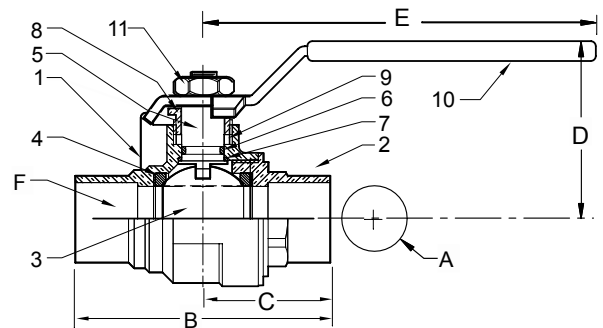
Blow-Out Proof Stem

Dimensions and Workmanship Conform to MSS SP-110



MATERIALS LIST

ITEM	PART	MATERIALS	ASTM SPEC.
1	Body	Brass, Forged	B283 C27450
2	Tailpiece	Brass, Forged	B283 C27450
		Brass	B283 C27450
3	Ball	Brass w/Chrome Plating	B283 C27450
4	Ball Seat	PTFE	Commercial
5	Stem	Brass	B283 C27450
6	O-Ring	Buna-N	D2006
7	Thrust Washer	PTFE	Commercial
8	Gland Nut	Brass	B16 C36000
9	Packing	PTFE	Commercial
10	Handle	Zinc Plated Steel	Commercial
11	Handle Nut	Zinc Plated Steel	Commercial



DIMENSIONS

	UNITS	1/2"	3/4"	1"	1-1/4"	1-1/2"	2"	2-1/2"	3"
	A	INCHES	0.50	0.76	1.00	1.26	1.50	2.00	2.48
	mm	13	19	25	32	38	51	63	75
B	INCHES	2.28	3.10	3.56	4.13	4.64	5.75	7.25	8.25
	mm	58	79	90	105	118	146	184	210
C	INCHES	1.14	1.55	1.78	2.06	2.32	2.87	3.62	4.12
	mm	29	39	45	52	59	73	92	105
D	INCHES	1.46	1.93	2.10	2.33	2.52	2.96	3.94	4.37
	mm	37	49	53	59	64	75	100	111
E	INCHES	3.27	4.45	4.45	5.24	5.24	7.01	7.87	7.87
	mm	83	113	113	133	133	178	200	200
F	TUBE SIZE	0.63	0.88	1.13	1.38	1.63	2.13	2.63	3.13
	Cv	18	40	72	112	161	287	307	323

Note: Lead free refers to the wetted surface of the pipe, fittings and fixtures in potable water systems that have a weighted average lead content ≤0.25%. Source: California Health and Safety Code (116875).

The information presented on this sheet is correct at time of publication. Hammond Valve reserves the right to change design and/or materials without notice. For our Installation, Operation and Maintenance Manual and the most current product information go to www.hammondvalve.com. Hammond Valve is a registered trademark of Milwaukee Valve.

⚠ State of California Prop 65 **WARNING:** Cancer and Reproductive Harm. For more information visit www.p65warnings.ca.gov.



OPTIONS

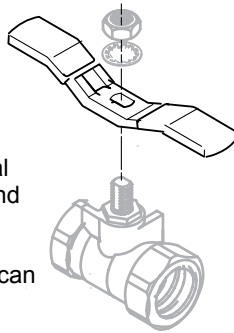
8201/8211
8901/8911
BA480B/BA490B

02 Memory Stop

The "02" Memory Stop provides an adjustable stop when the valve is used in a balancing application. The memory stop can be set to any preset opening point.

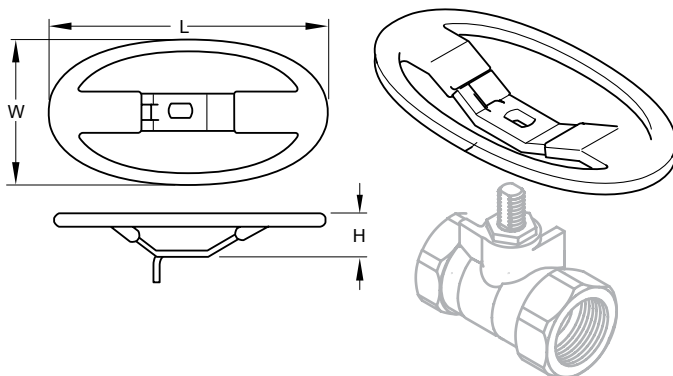
03 Tee Handle

Tee handles offer the same installation space savings as oval handles, with a slightly shorter end to end dimension. Tee handles require more handle force to operate, so accidental openings can be reduced.



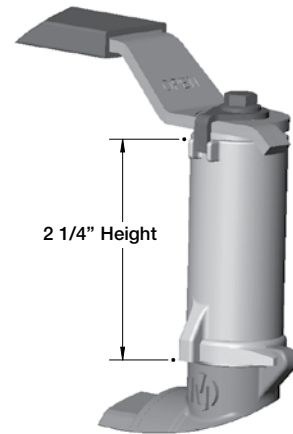
04 Oval Handle

Oval handles can be installed where a standard lever handle might encounter interference from adjoining piping. Oval handles can also prevent accidental valve operations, since they have less projection than a lever handle, and require more turning force to operate.



06 Extension Handle With Memory Stop

The "06" stem extension is simple and effective design. This option is designed for installations where pipe insulation would make standard handles inoperable.

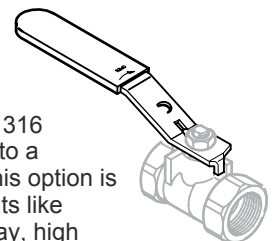


07 Locking Lever Handle



08 Stainless Steel Handle

The "08" handle option adds a 316 stainless steel handle and nut to a standard bronze ball valve. This option is intended for harsh environments like areas subject to salt water spray, high humidity, cleaning chemicals, etc.



The information presented on this sheet is correct at time of publication. Hammond Valve reserves the right to change design and/or materials without notice. For our Installation, Operation and Maintenance Manual and the most current product information go to www.hammondvalve.com. Hammond Valve is a registered trademark of Milwaukee Valve.

⚠ State of California Prop 65 **WARNING:** Cancer and Reproductive Harm. For more information visit www.p65warnings.ca.gov.