

UPBA-480S* 1/2"-2"

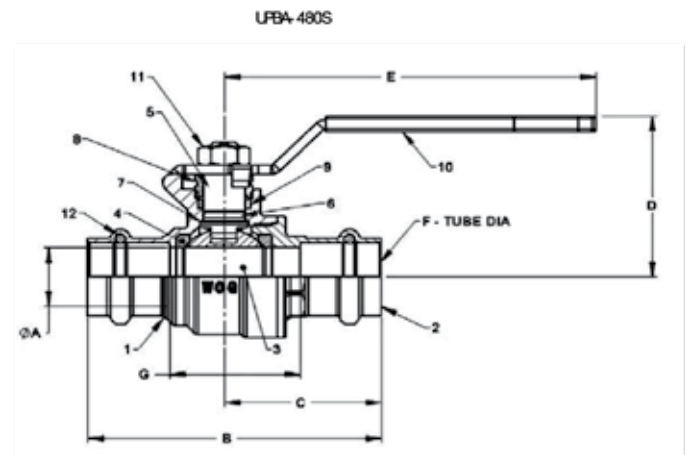


Brass Ball Valve For Potable Water
Two Piece
Full Port
200 psig @ 250°F†
Press x Press Ends
Blow-Out Proof Stem

MATERIALS LIST

ITEM	PART	MATERIALS	ASTM SPEC.
1	Body	Brass, Forged	B283 C27450
2	Tailpiece	Brass, Forged	B283 C27450
3	Ball	316 Stainless Steel	A276 S31600
4	Ball Seat	PTFE	Commercial
5	Stem	316 Stainless Steel	A276 S31600
6	Stem O-Ring	Buna-N	D2000
7	Thrust Washer	PTFE	Commercial
8	Gland Nut	Brass	B124
9	Packing	PTFE	Commercial
10	Handle	Zinc Plated Steel	Commercial
11	Handle Nut	Zinc Plated Steel	Commercial
12**	Backing Ring	Plastic	Commercial

*Ultra Press Valves are designed and qualified for use in copper tubing systems only, Types K, L, & M per ASTM B88. For Installation Instructions please see engineering section on website.



DIMENSIONS

	UNITS	1/2" DN15	3/4" DN20	1" DN25	1-1/4" DN32	1-1/2" DN40	2" DN50
A-PORT DIA	INCHES	0.51	0.76	0.98	1.26	1.50	2.01
	mm	13	19	25	32	38	51
B	INCHES	3.16	3.71	4.28	5.20	6.31	7.44
	mm	80	94	109	132	160	189
C	INCHES	1.63	1.92	2.18	2.75	3.40	3.96
	mm	41	49	55	70	86	101
D	INCHES	1.62	2.01	2.21	2.46	2.62	3.13
	mm	41	51	56	63	67	80
E	INCHES	3.15	4.33	4.33	5.12	5.12	6.89
	mm	80	110	110	130	130	175
G	INCHES	1.52	1.73	2.31	3.16	3.49	4.28
	mm	39	44	59	80	89	109
Cv		18	40	40	72	112	161

†Non-Shock

Note: Lead free refers to the wetted surface of the pipe, fittings and fixtures in potable water systems that have a weighted average lead content $\leq 0.25\%$. Source: California Health and Safety Code (116875).

The information presented on this sheet is correct at time of publication. Milwaukee Valve reserves the right to change design and/or materials without notice. For our Installation, Operation and Maintenance Manual and the most current product information go to www.milwaukeevalve.com.

⚠ State of California Prop 65 **WARNING:** Cancer and Reproductive Harm. For more information visit www.p65warnings.ca.gov.

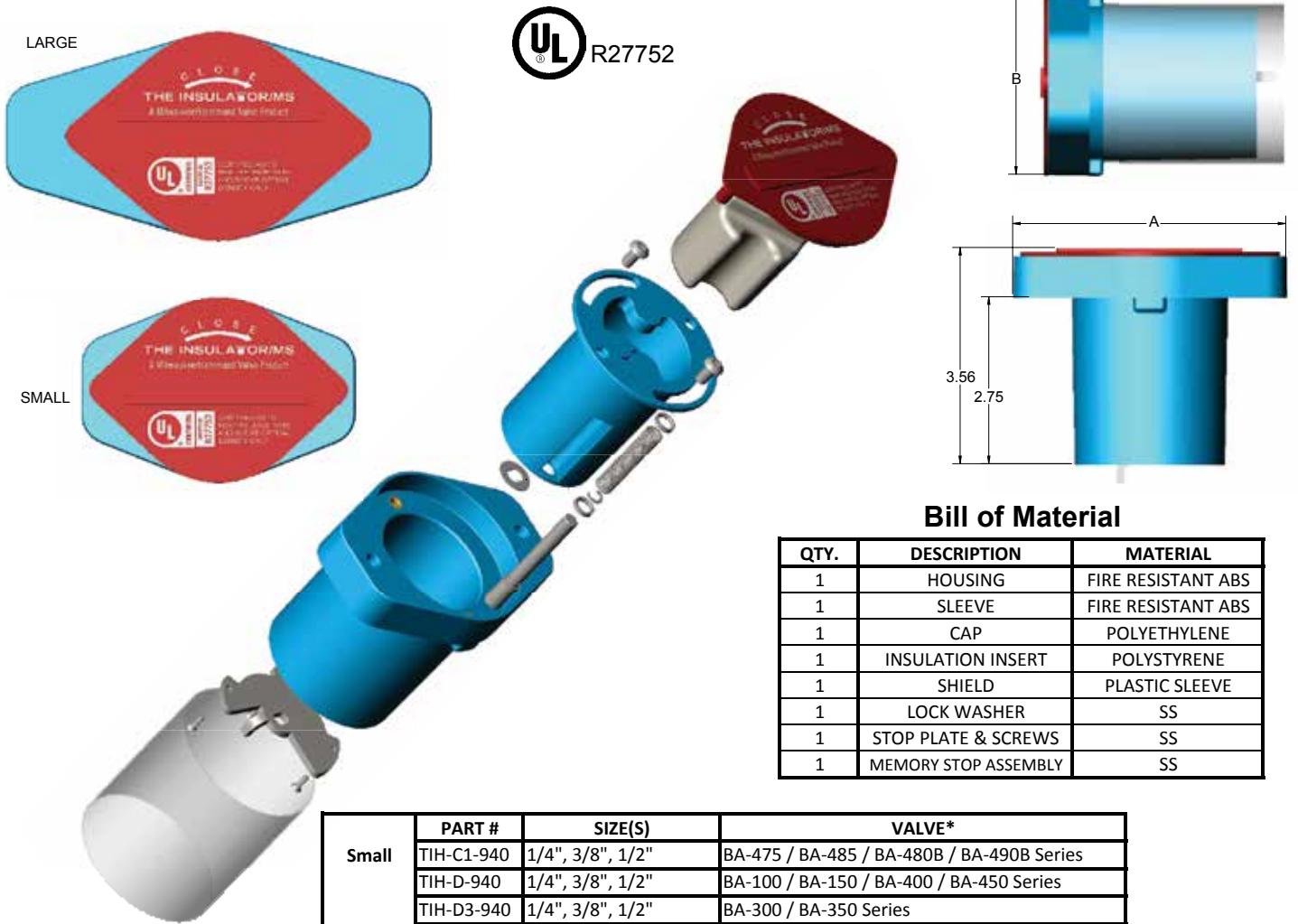


THE INSULATOR/MS

Bronze & Brass Ball Valves

Milwaukee Valve's insulated extension handle is designed to prevent condensation and other extraneous moisture from entering your insulated piping system, while also minimizing thermal energy loss from the system via metal extension tubes, levers, and similar parts.

Our handle design incorporates a unique memory stop feature that requires no disassembly or removal of the handle to engage and make adjustments.



Bill of Material

QTY.	DESCRIPTION	MATERIAL
1	HOUSING	FIRE RESISTANT ABS
1	SLEEVE	FIRE RESISTANT ABS
1	CAP	POLYETHYLENE
1	INSULATION INSERT	POLYSTYRENE
1	SHIELD	PLASTIC SLEEVE
1	LOCK WASHER	SS
1	STOP PLATE & SCREWS	SS
1	MEMORY STOP ASSEMBLY	SS

	PART #	SIZE(S)	VALVE*
Small	TIH-C1-940	1/4", 3/8", 1/2"	BA-475 / BA-485 / BA-480B / BA-490B Series
	TIH-D-940	1/4", 3/8", 1/2"	BA-100 / BA-150 / BA-400 / BA-450 Series
	TIH-D3-940	1/4", 3/8", 1/2"	BA-300 / BA-350 Series
A - 4.50	TIH-F-940	1"	BA-100 / BA-150 Series
		3/4"	BA-100 / BA-150 / BA-400 / BA-450 Series
	TIH-F3-940	3/4"	BA-300 / BA-350 Series
B - 3.06	TIH-H1-940	3/4", 1", 1 1/4", 1 1/2"	BA-475 / BA-485 / BA-480B / BA-490B Series
Large	TIH-J-940	2"	BA-100 / BA-150 Series
		1 1/4", 1 1/2"	BA-100 / BA-150/BA-400 / BA-450 Series
		1"	BA-400 / BA-450 Series
A - 7.00	TIH-J1-940	2"	BA-475 / BA-485 / BA-480B / BA-490B Series
	TIH-J3-940	1", 1 1/4", 1 1/2"	BA-300 / BA-350 Series
	TIH-K-940	2"	BA-400 / BA-450 Series
B - 3.44	TIH-K3-940	2"	BA-300 / BA-350 Series

To order factory assembled to the valve use suffix TIH

TIH handle is rated to 275°F. Installation of Solder end valves with the TIH installed: slide the plastic sleeve up to avoid contact with the valve body, wrap the TIH handle with a damp cloth to protect and draw heat away while directing the flame away from the center of the valve during heating.

*Will fit our equivalent Ultrapure Low Lead Valves.

The information presented on this sheet is correct at time of publication. Milwaukee Valve reserves the right to change design and/or materials without notice. For our Installation, Operation and Maintenance Manual and the most current product information go to www.milwaukeevalve.com.

⚠ State of California Prop 65 **WARNING:** Cancer and Reproductive Harm. For more information visit www.p65warnings.ca.gov.

